

GB *Surveillance videocamera*
2-wire

cod. 112248



1 - INTRODUCTION

Additional surveillance videocamera compatible with all Avidsen Ylva 2 series monitors.

Main features:

- Automatic image transmission to monitor.
- Easy and intuitive installation.
- Ease of use: at any age users will be happy with its ease of use.
- Automatic exposure correction: the videocamera automatically adjusts to lighting conditions

The infrared vision built in the camera allows you to see visitors without additional lighting.

IMPORTANT: Read this manual carefully before installation. In case of need, Avidsen technicians will be at your disposal to offer assistance.

ATTENTION: a wrong connection of wires can severely damage your entryphone and annul the warranty.

2 - PRECAUTIONS FOR USE

Before installing this product, review the following points:

- Do not expose to shocks.
- Do not install under extreme humidity or temperature conditions, risk of rusts or dust.
- The videocamera can be used indoor or outdoor provided with shelter. Temperature should range between -10°C and +60°C.
- Do not expose to direct sunlight, rain or excessive humidity.
- Do not install near chemicals, ammonia, or sources of toxic gases.
- Do not press two buttons at the same time to avoid short circuits.
- To clean the product, do not use solvents or abrasive products. Use a soft cloth slightly moistened with soap.
- Do not connect this product to the public telecommunications systems.

3 - INFORMATION FOR USERS

Pursuant to Article 13 of the Legislative Decree No. 151 dated 25 July 2005, "Implementation of Directives 2002/95/CE, 2002/96/CE and 2003/108/CE, concerning reduction of use of dangerous substances in electric and electronic devices, as well as disposal of waste". The symbol of the crossed out garbage bin found on the device or on its packaging indicates that the product, at the end of its service life, must be disposed of separately from other waste. The user shall bring the equipment at the end of its lifetime in places dedicated to collect electrical and electronic waste, where foreseen.

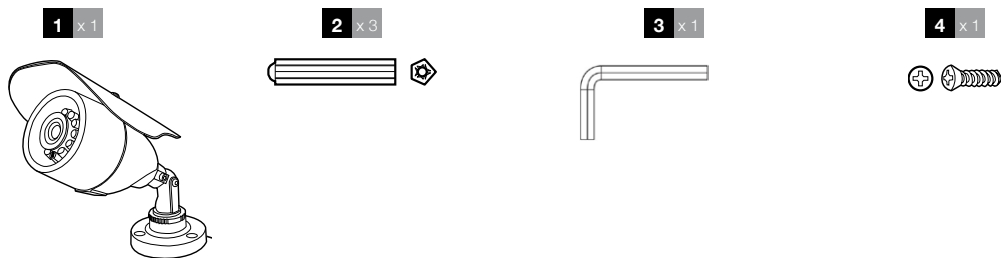


Pour en savoir plus :

www.quefairedemesdechets.fr

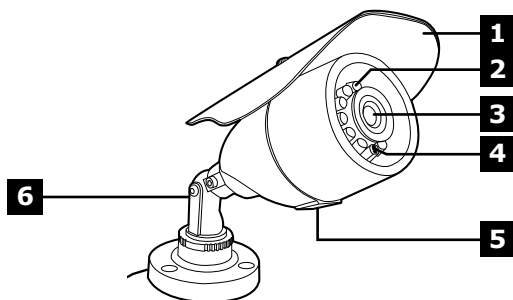
B - PRODUCT

1 - CONTENT



1	Videocamera	5	Allen for camera orientation adjusting
2	Anchors	6	Screws

2 - DESCRIZIONE DEL PRODOTTO



1	Protective cover	5	Microphone
2	Night vision LED	6	Support
3	Lens		
4	Lighting sensor		

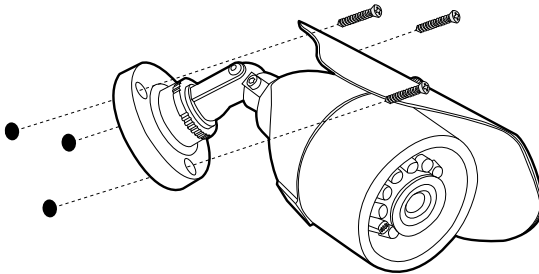
3 - SURVEILLANCE VIDEOCAMERA WALL MOUNT

The videocamera must be wall mounted. Fixing support and screws are supplied.

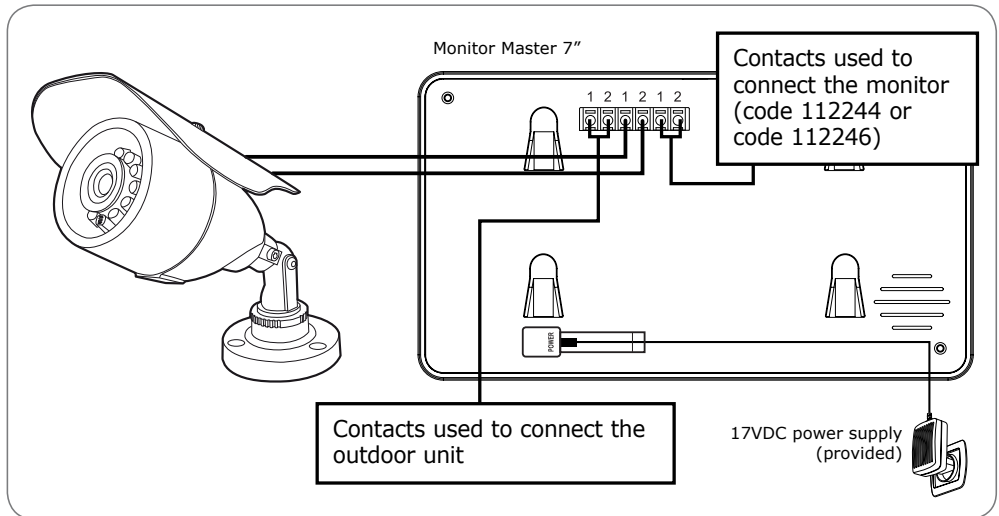
WARNING : For obvious safety reasons, wirings must be made before connecting the product to the power supply.

1 - WALL MOUNTING

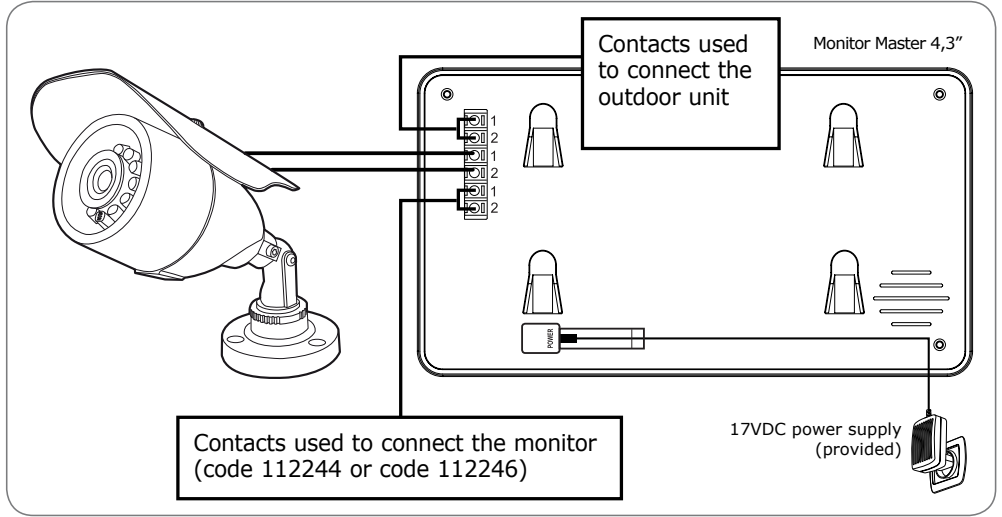
- Before mounting the camera to the wall, test the orientation and operation of the entryphone.
- Fix the videocamera using the screws and anchors supplied.



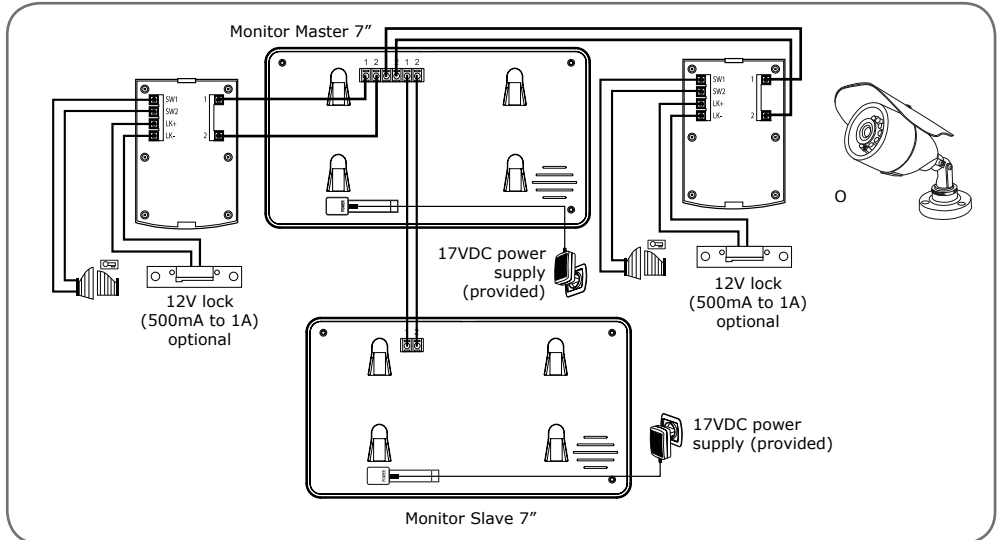
2 - ELECTRIC CONNECTIONS

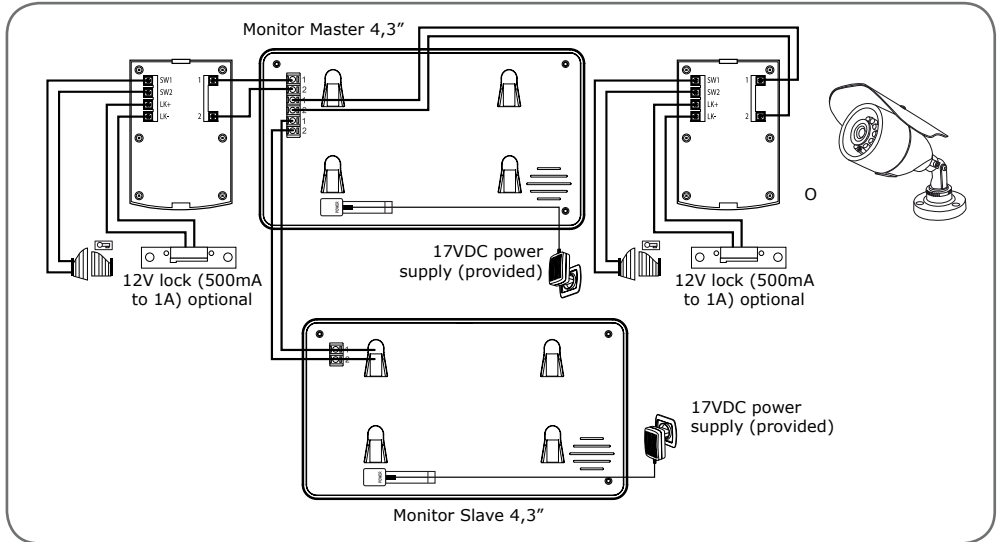


C - INSTALLATION



2.1 -MAXIMUM SYSTEM EXPANDABILITY



**3 - OPERATION**

After connecting the camera to an Avidsen compatible Ylva monitor, you can turn it on directly from the internal monitor (refer to paragraph «Activating the Surveillance Videocamera» of the monitor manual): in this way, you will see and hear what is happening in the camera vision field

4 - NIGHT VISION

The videocamera is sensible to infrared light and the LEDs automatically turn on at twilight. So, nearby objects are illuminated by infrared light (up to 7m max).

E -USEFUL INFORMATION

1 - TECHNICAL FEATURES

VIDEOCAMERA	
<i>Image sensor</i>	1/4" CMOS
<i>Total resolution</i>	CMOS 728 x 584 PAL
<i>Angle of vision</i>	62°
<i>Minimum lighting</i>	1.0Lux/F2.0 & 0Lux(IR ON)
<i>Consumption</i>	80mA/120mA
<i>Power supply</i>	DC 12V 500mA
<i>Operating temperature</i>	-10° / +60°
<i>Camera dimension</i>	Ø 55mm x 170mm
<i>Protective cover dimension</i>	70 x 190mm
<i>Camera weight</i>	~ 200gr
<i>Protective cover weight</i>	~ 25gr
<i>IP degree</i>	IP44

2 - WARRANTY AND SERVICE

- This product is covered by 2-year legal warranty of seller for conformity defects as provided for by articles 128 and subsequent of Legislative Decree no 206/2005 (Consumer's Code).
ATTENTION: The warranty is not valid without receipt or proof of purchase.
- Technical Assistance: Tel: + 33 (0)892 701 369
Monday to Friday, 9 AM to 12 PM and 2 PM to 6 PM.

3 - CLEANING AND MAINTENANCE

- Use a soft cloth slightly moistened with soap and water.
- Do not spray with aerosol, which could damage to the product.
- Do not use abrasive liquids that might scratch the cover of the modules.
- The monitor and camera lens must be sheltered from dust and grease.